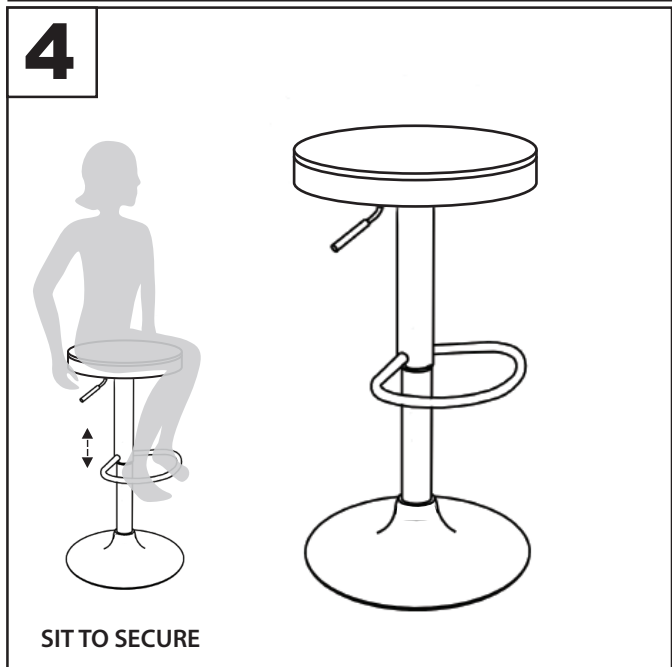
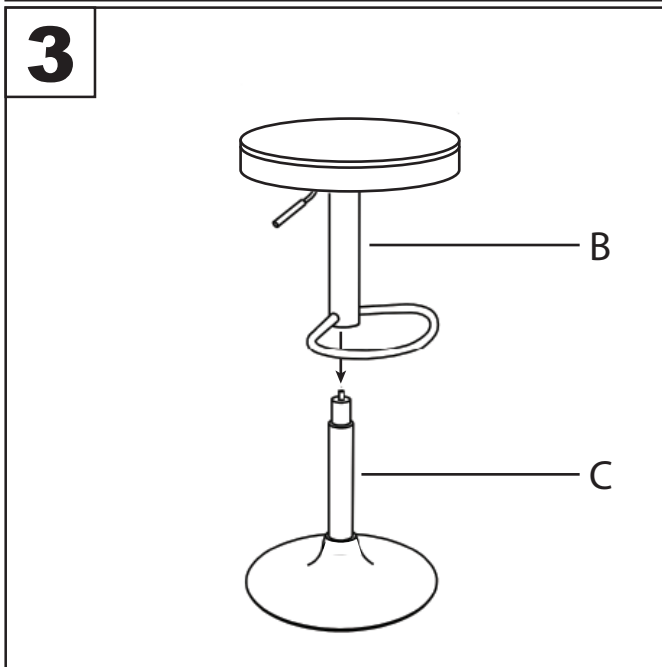
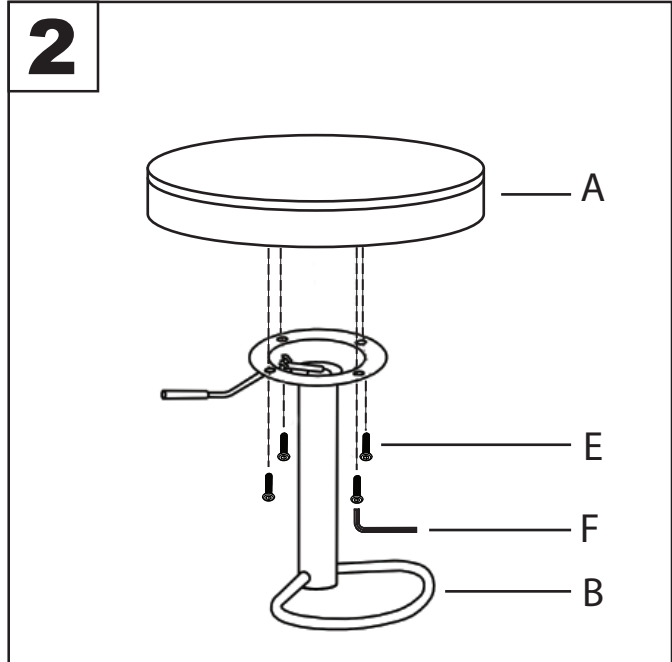
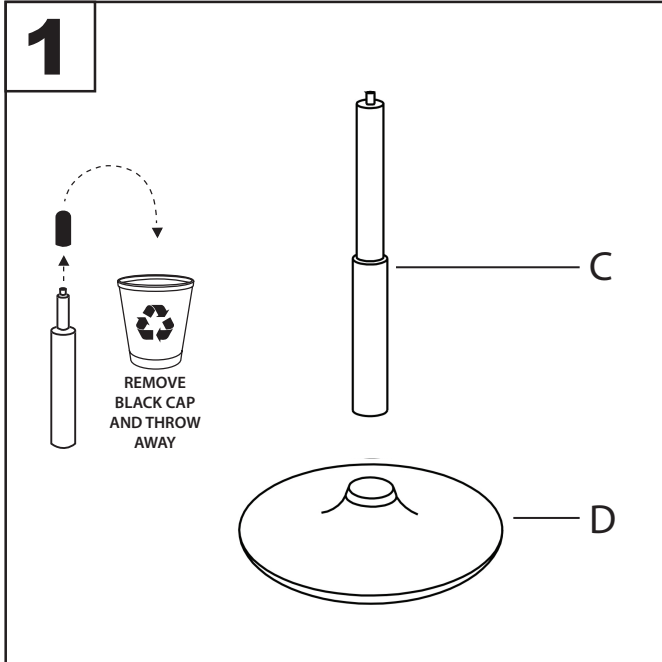
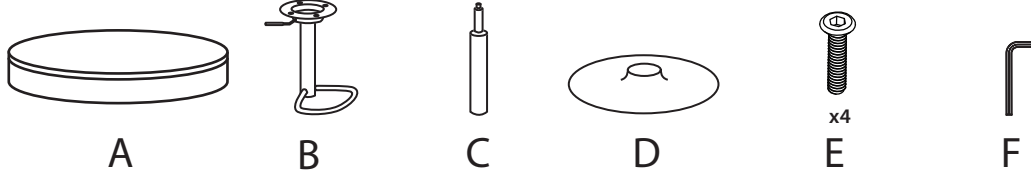


Dakota Bar Stool

Part # BS-TW-DAK XX

15-1118

PARTS



Do not over tighten.
Do not use power tools to assemble.

- WARNING:**
- DO NOT STAND ON OR USE THIS STOOL AS A STEP LADDER.
 - THIS STOOL IS MEANT TO SEAT ONLY ONE PERSON AT A TIME
 - ALL BOLTS, SCREWS, AND KNOBS MUST BE TIGHTLY SECURED, AND SHOULD BE CHECKED AT LEAST EVERY 4 MONTHS.
 - IF PARTS ARE MISSING, BROKEN, DAMAGED OR WORN, THEN STOP USING THE PRODUCT UNTIL REPAIRS ARE MADE USING FACTORY AUTHORIZED PARTS.